

22 Juli 04

YANMAR DIESEL ENGINE

YANMAR

PARTS CATALOG

MODEL

4TNV88-MHW
(HAKO)

Published

May.,2004

000Y00V9750

PREFACE

1. This Parts Catalog carries all parts incorporated in YANMAR Model 4TNV88-MHW engine manufactured since May, 2004.

2. Each illustration corresponds to the parts list on the following page.

3. When ordering parts, clearly write down the engine model and serial number, as well as the name and number of each part in your order sheet. This will help insure reliable delivery of the parts you have ordered.

How to read this Parts Catalog.

1. Parts mentioned in Parts Catalog may not necessarily be standard equipping parts
2. Parts change may be made without prior notice.
3. Form of this Parts Catalog.

REF.	LEV.	PARTS NO.	DESCRIPTION	QTY.	(A)	(B)	(C)	(D)	(E)	(F)	(G)
1	1-1	72595-F360	FUEL INJECTION PUMP (MIBOOST)	1	1	1	1	1	1	1	1
2	2	26022-060162 (E-E00200)	FUEL INJECTION PUMP	1	1	1	1	1	1	1	1
3	3	26022-060162	SCREW M 6X16	9	9	9	9	9	9	9	9
1 3-1	2	26022-060162	SCREW M 6X16	4	4	4	4	4	4	4	4
4	2	12470-51040 (E-E00156)	CAKSHFT (E-E00156)	9	9	9	9	9	9	9	9
5	2	12270-51050	BEARING ROLLER	9	9	9	9	9	9	9	9
6	2	129470-51060	RETAINER	9	9	9	9	9	9	9	9

REMARKS
 (1) BOOST COMPENSATOR TYPE
 OPTIONAL PART TO EMD0055
 4JH-DT, 4JH-DTZ

① Ref. No.

The Ref. No. in the list may not be in accordance with the Ref. No. on illustration.
 (Ex.) illustration No. 1 (Before change) → 1-1 (After change)

② Lev. (Level)

When interchangeable symbol N, and k, illustrations for the new parts are sometimes omitted.

Indication and Meaning of Level
 Level Hereunder is given the relation among the number of number (1,2,3) the level and the nominal parent-child relationship.

- 1 --- Parent parts (Assembly parts)
- 2 --- Child parts included in "1", (Semi-Assembly parts, component parts of Assembly parts.)
- 3 --- Child parts included in "2", Grand-child parts in terms of "1".
 (Component parts of Semi-Assembly parts.)

Note) A parts of non-sale parts are illustrated but not listed.

③ Change Mark

Change Mark "1" is given to the part for which a design change was made at this time.

The design change was not shown in the last published Parts Catalog.

④ Interchangeability Mark

In the case where a part change book piece, one of the following interchangeability marks is indicated for that part

Symbol	Interchangeability	Contents note
N	Old → New	New Part is interchangeable for Old Part but not interchangeable conversely.
Q	Old ↔ New	New Part is not interchangeable for Old Part but interchangeable conversely.
R	Old → New	New Part is interchangeable for Old Part and vice versa.
S	Old ↔ New	New Part is not interchangeable for Old Part and vice versa.
W	Old → New	Part newly added.
Z		Part discontinued.
F		Not interchangeable single part but interchangeable by set of the related parts.
K		Changed only in quantity used.

⑤ Effective Machine No.

When a part is changed, Effective Machine No. of a Model for which the part is applicable is indication in each column of (A)-(F).

Product Symbol	Product No.	Product Symbol	Product No.
C	Clutch No.	M	Machine No.
D	Drive No.	T	Tractor No.
E	Engine No.	Note 1)*	Date

Note 1) Date may follow the symbol in some cases. (Ex.) × 1996.01

Note 2) As far as engine models shown by "XXXX" are concerned, the modification of the parts could not be predicted or the engine models themselves could not be identified.

Note 3) (A/E#00185) means that the design change on the part has been effective for the model at the column (A) (in the case, for 4JH-DT) on and from E#(Engine Serial Number) 00185

⑥ Remarks Mark

Figures or alphabets (Symbols) are entered in the remark column.

The comments (remarks) on the pertinent parts are indicated in the lower part of the list by the same symbols as those stated above.

CONTENTS

MODEL : 4TNV88-MHW (HAKO)
PC NO : Y00V9750

Fig.No. GROUP NAME

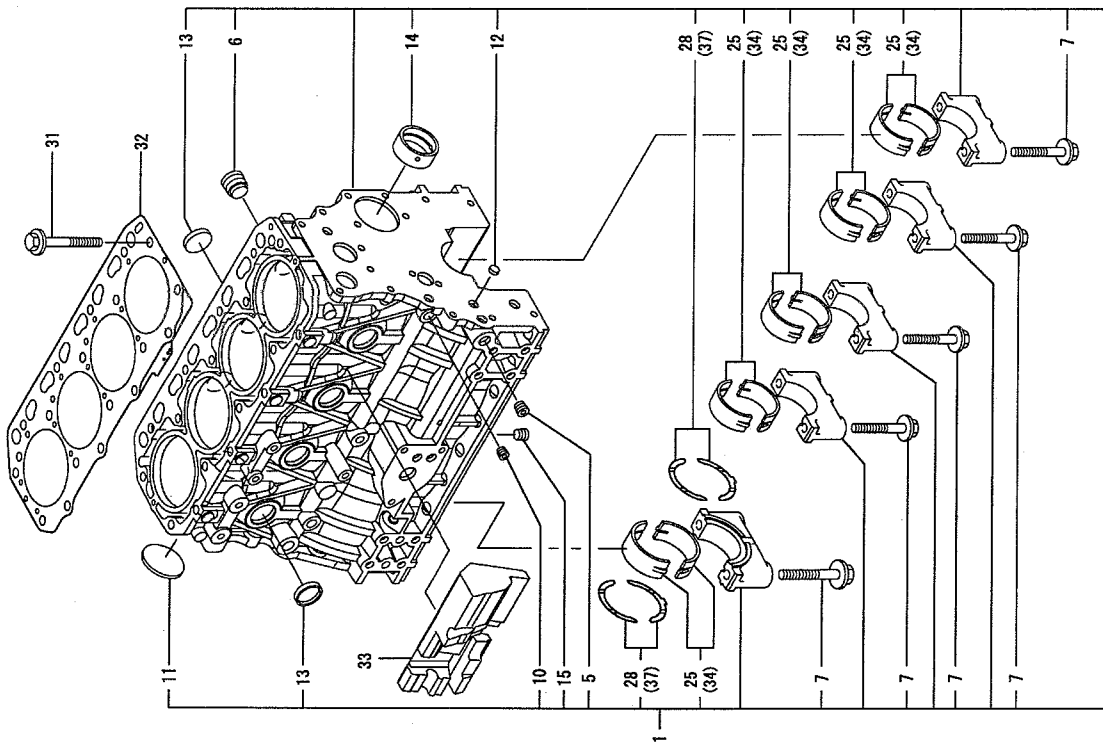
Fig.No. GROUP NAME

ENGINE SECTION

1. CYLINDER BLOCK
2. GEAR HOUSING
3. FLYWHEEL HOUSING & OIL SUMP
4. CYLINDER HEAD & BONNET
5. SUCTION MANIFOLD
6. EXHAUST MANIFOLD
7. CAMSHAFT & DRIVING GEAR
8. CRANKSHAFT & PISTON
9. LUB.OIL SYSTEM
10. COOLING WATER SYSTEM
11. FUEL INJECTION PUMP
12. FUEL INJECTION VALVE
13. FUEL LINE
14. STARTING MOTOR
15. GASKET SET

Y00V9750

Fig.1. CYLINDER BLOCK



Remarks

- (1) UNDER-SIZE(U.S=0.25)PART.
- (2) OVER-SIZE(O.S=0.25)PART.
- (3) REPAIR PART.

Y00V9750 1. CYLINDER BLOCK

(A)=4TNV88-MHW
(B)=
(C)=
(D)=
(E)=
(F)=

REF.	LEV.	PARTS NO.	DESCRIPTION	(A)	(B)	(C)	(D)	(E)	(F)
1	1	729602-01560	BLOCK ASSY, CYLINDER	1					
5	2	124160-01910	PLUG PT1/4	2					
6	2	171051-01921	PLUG	1					
7	2	129150-02020	BOLT, METAL CAP	10					
10	2	124060-01050	PLUG PT1/8	1					
11	2	129001-01250	PLUG 50	1					
12	2	27241-120000	PLUG 12	2					
13	2	27241-300000	PLUG 30	8					
14	2	129795-02411	BUSH, CAMSHAFT	1					
15	2	124160-01910	PLUG PT1/4	1					
25	2	129001-02930	MAIN BEARING SET	5					
28	2	129150-02930	METAL, THRUST	2					
31	1	129150-01200	STUD, CYL. HEAD	18					
32	1	129407-01340	GASKET, CYL. HEAD	1					
33	1	129004-01190	SPACER	1					
34	1	129150-02870	MAIN METAL US=0.25	5					
37	1	129150-02940	METAL, THRUST.25(2PIE	1					

Y00V9750 2. GEAR HOUSING

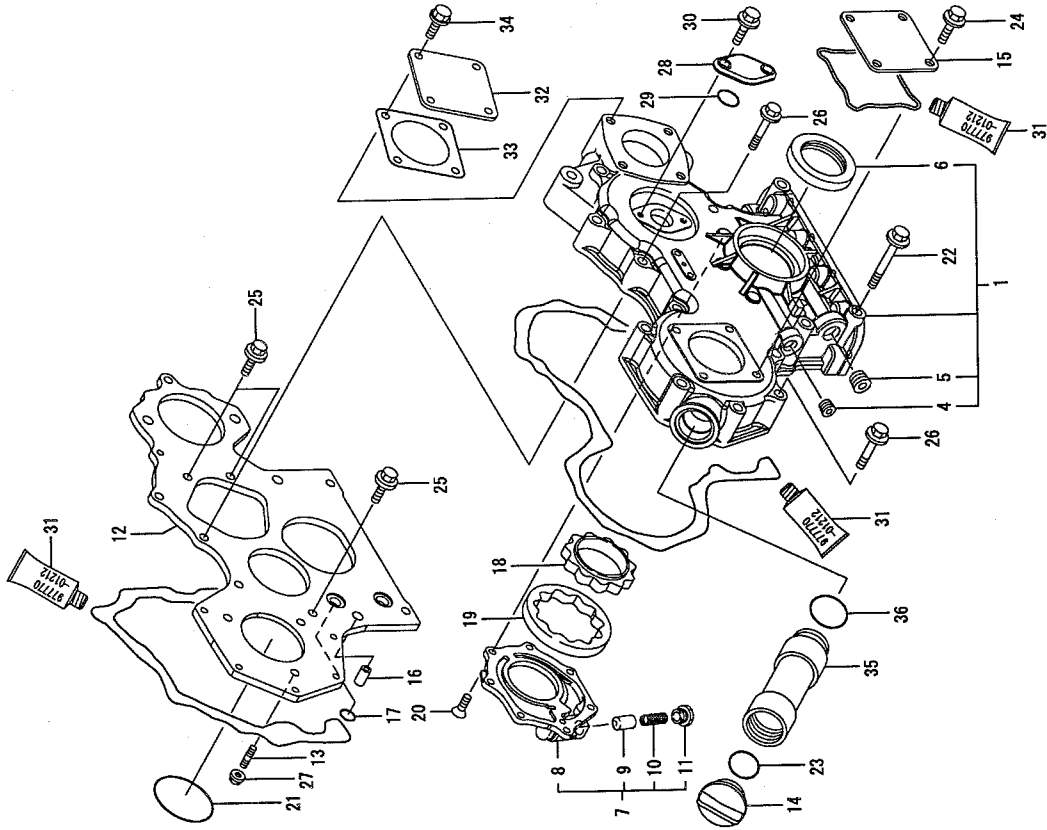
(A)=4TNV88-MHW (D)=
 (B)= (E)=
 (C)= (F)=

QTY I R

REF.	LEV.	PARTS NO.	DESCRIPTION	(A)	(B)	(C)	(D)	(E)	(F)
1	1	729005-01500	GEAR CASE ASSY	1					
4	2	23876-030000	PLUG PT3/8, SCREW	1					
5	2	23876-040000	PLUG PT 1/2	1					
6	2	129795-01800	SEAL, OIL	1					
7	1	119802-32100	COVER ASSY, PUMP	1					
8	2	119802-32070	COVER, LUB.OIL PUMP	1					
9	2	129900-32130	VALVE, RELIEF	1					
10	2	129418-32320	SPRING	1					
11	2	129001-32330	PLUG	1					
12	1	129005-01520	FLANGE, GEAR CASE	1					
13	1	119802-01560	STUD, M8X25	3					
14	1	124160-01751	COVER, FILLER	1					
15	1	124240-01871	COVER, HO-P	1					
16	1	129795-01950	PIPE, KNOCK L=18	2					
17	1	119609-32040	O-RING P16	4					
18	1	119802-32111	ROTOR, INNER	1					
19	1	119802-32120	ROTOR, OUTER	1					
20	1	119802-32130	SCREW, M6X16	7					
21	1	121850-51960	O-RING, F.I.PUMP	1					
22	1	129001-91841	BOLT, M8X85	3					
23	1	24311-000320	O-RING 1A P-32.0	1					
24	1	26106-080162	BOLT M 8X 16 PLATED	4					
25	1	26106-080162	BOLT M 8X 16 PLATED	3					
26	1	26106-080552	BOLT M 8X 55 PLATED	11					
27	1	26306-080002	NUT	3					
28	1	121023-01550	COVER, BLIND	1					
29	1	24341-000240	O-RING 1A S-24.0	1					
30	1	26106-060162	BOLT M 6X 16 PLATED	2					
31	1	97770-01212	GASKET, LIQUID	1					
32	1	124240-01871	COVER, HO-P	1					
33	1	124240-01883	GASKET, (NON-ASB.)	1					
34	1	26106-080122	BOLT M 8X 12 PLATED	4					
35	1	171031-11741	PIPE	1					
36	1	24311-000320	O-RING 1A P-32.0	1					

Y00V9750

Fig.2. GEAR HOUSING



Remarks
 (1) OPTIONAL PART.

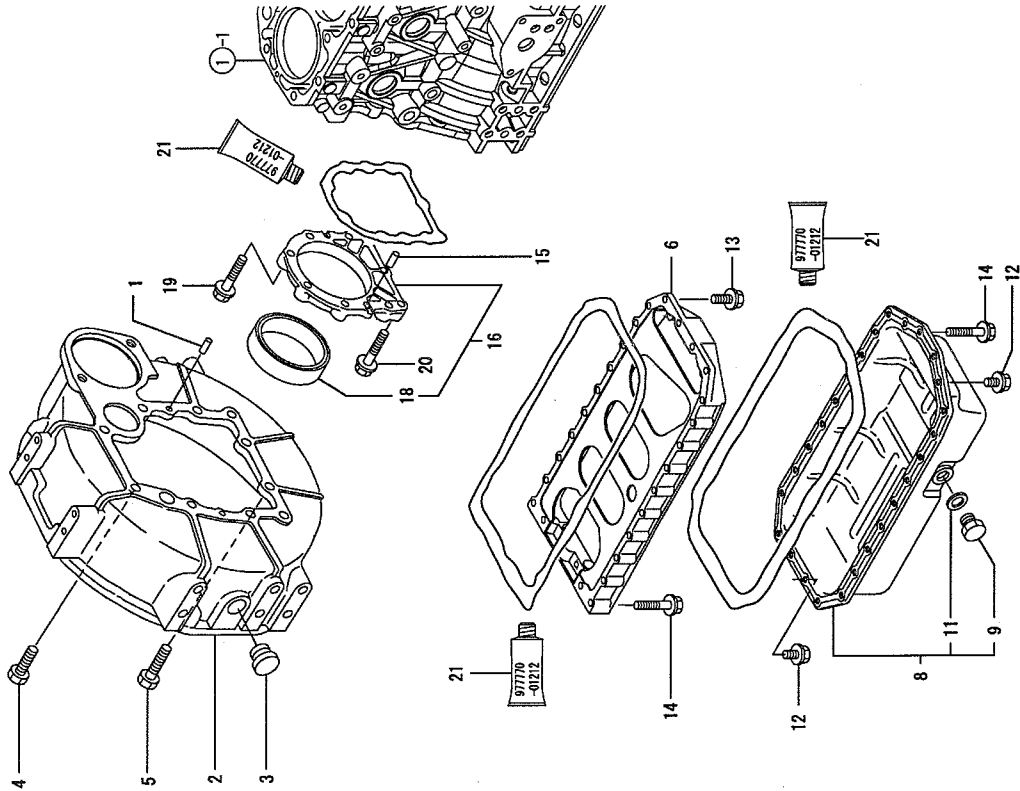
Y00V9750

Fig.3. FLYWHEEL HOUSING & OIL SUMP

3. FLYWHEEL HOUSING & OIL SUMP

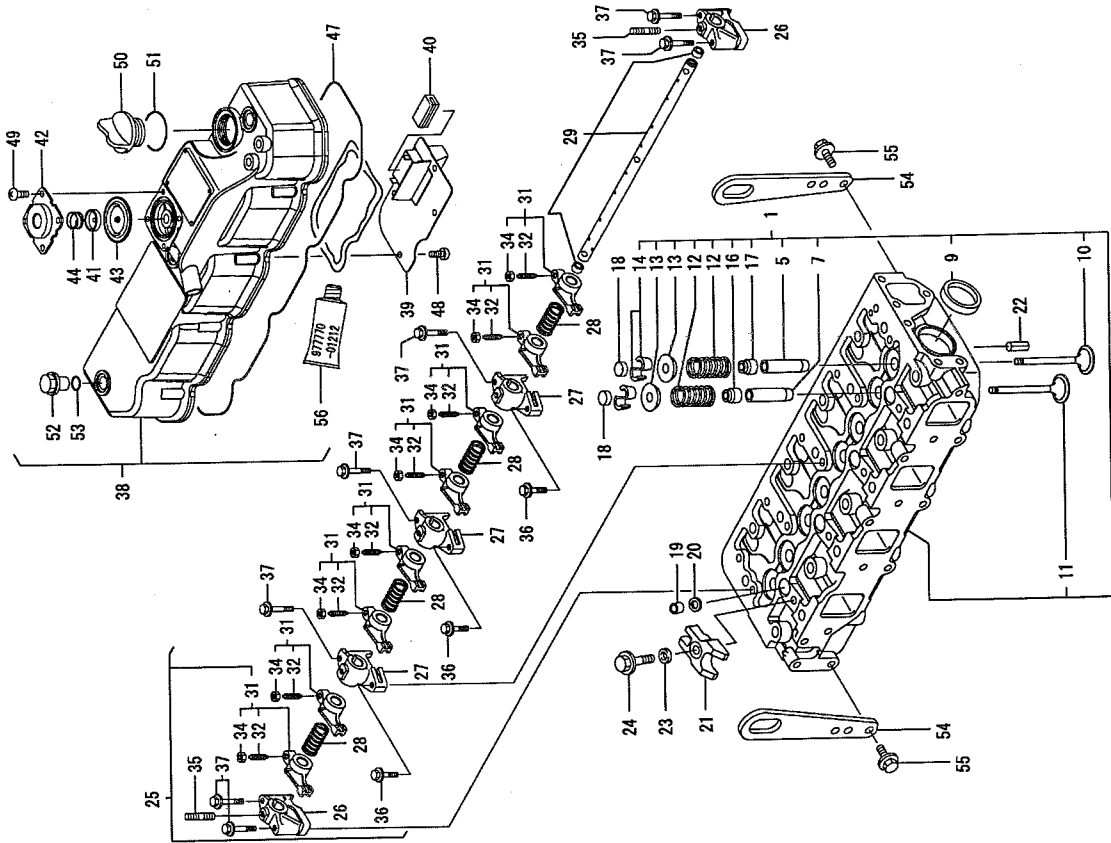
(A)=4TNV88-MHW (D)=
 (B)= (E)=
 (C)= (F)=

REF.	LEV.	PARTS NO.	DESCRIPTION	QTY					
				(A)	(B)	(C)	(D)	(E)	(F)
1	1	129100-01580	PARALLEL PIN 8X16	2					
2	1	129612-01600	HOUSING, FLYWHEEL	1					
3	1	119620-01750	CAP. FLYWHEEL COVER	1					
4	1	26206-100252	BOLT M10X25	6					
5	1	26206-100302	BOLT M10X30	4					
6	1	129400-01730	SPACER, OIL SUMP	1					
8	1	129400-01770	SUMP ASSY, LUB. OIL	1					
9	2	119640-01640	DRAIN PLUG M22	1					
11	2	22190-220002	SEAL WASHER 22S	1					
12	1	26106-080162	BOLT M 8X 16 PLATED	4					
13	1	26106-080252	BOLT M 8X 25 PLATED	2					
14	1	26106-080452	BOLT M 8X 45 PLATED	24					
15	1	129100-01580	PARALLEL PIN 8X16	2					
16	1	129100-01640	CASE ASSY, OIL SEAL	1					
18	2	129795-01780	SEAL, OIL	1					
19	1	129486-01670	BOLT M8X30,COLLAR HD	6					
20	1	26106-080352	BOLT M 8X 35 PLATED	3					
21	1	977770-01212	GASKET, LIQUID	1					



Remarks
 (1) OPTIONAL PART.

Fig.4. CYLINDER HEAD & BONNET



Y00V9750 4. CYLINDER HEAD & BONNET

(A)=4TNV88-MHW (D)=
 (B)= (E)=
 (C)= (F)=

REF.	LEV.	PARTS NO.	DESCRIPTION	QTY					
				(A)	(B)	(C)	(D)	(E)	(F)
1	1	129601-11700	HED ASSY, CYLINDER	1					
5	2	120130-11860	GUIDE, VALVE	4					1
7	2	129150-11810	GUIDE, VALVE	4					1
9	2	27241-400000	PLUG, 40	2					
10	2	129004-11100	VALVE, INTAKE	4					
11	2	129100-11110	VALVE, EXHAUST	4					
12	2	129795-11120	SPRING, VALVE	8					
13	2	129795-11180	RETAINER, SPRING	8					
14	2	27310-080001	COTTER, 8	8					
16	2	121400-11340	SEAL, VALVE STEM	4					
17	2	124460-11340	SEAL, VALVE STEM	4					
18	1	129150-11370	CAP, VALVE	8					
19	1	119802-11870	PROTECTOR, NOZZLE	4					
20	1	119625-11880	SEAT, NOZZLE	4					
21	1	129004-11900	RETAINER, NOZZLE	4					
22	1	22351-060012	SPRING PIN 6X12	2					
23	1	120270-54410	WASHER	4					
24	1	26106-080352	BOLT M 8X 35 PLATED	4					
25	1	129601-11241	SHAFT ASSY, ROCKER	1					
26	2	119802-11260	SUPPORT, ROCKER ARM	2					
27	2	119802-11270	SUPPORT, ROCKER ARM	3					
28	2	129150-11280	SPRING	4					
29	2	129601-11251	SHAFT	1					
31	2	129004-11650	ARM ASSY, ROCKER	8					
32	3	129150-11230	SCREW, VALVE	8					
34	3	129150-11750	NUT M8XP1.0	8					
35	2	26226-080182	STUD M 8X 18 PLATED	3					
36	1	26106-080252	BOLT M 8X 25 PLATED	3					
37	1	26106-080502	BOLT M 8X 50 PLATED	7					
38	1	129601-11350	BONNET ASSY	1					
39	2	129004-03010	PLATE, BAFFLE	1					
40	2	129150-03070	BAFFLE, BREATHER	1					
41	2	119802-03110	PLATE, DIAPHRAGM	1					
42	2	119802-03121	COVER, DIAPHRAGM	1					
43	2	119802-03130	DIAPHRAGM	1					
44	2	119802-03141	SPRING, DIAPHRAGM	1					
47	2	129601-111310	GASKET, COVER	1					
48	2	22857-500100	SCREW 5X10, TAPPING	4					
49	2	22857-500100	SCREW 5X10, TAPPING	4					
50	1	124160-01751	COVER, FILLER	1					
51	1	24311-000320	O-RING 1A P-32.0	1					
52	1	124160-11360	KNOB	3					
53	1	24311-000120	O-RING 1A P 12.0	3					
54	1	129900-07900	LIFTER, ENGINE	2					
55	1	26106-080142	BOLT M 8X 14 PLATED	4					
56	1	977770-01212	GASKET, LIQUID	1					2

Remarks
 (1) REPAIR PART.
 (2) OPTIONAL PART.

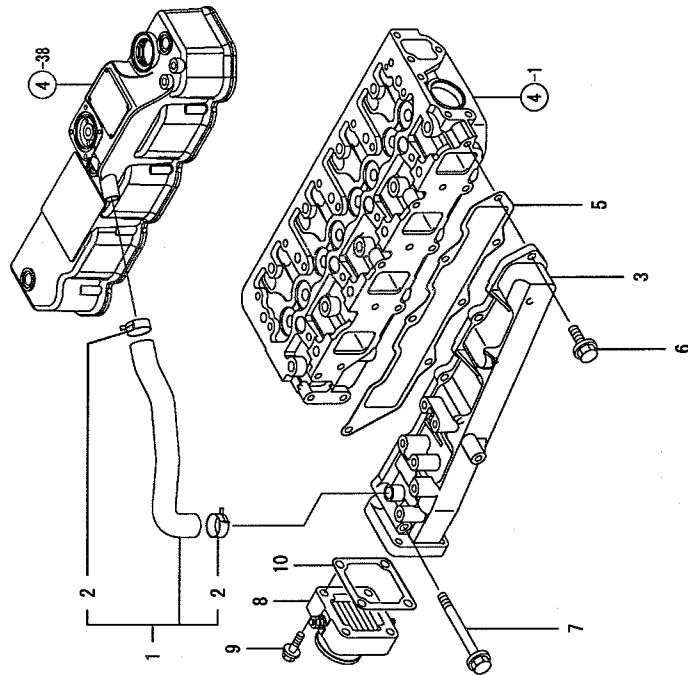
Y00V9750

Fig.5. SUCTION MANIFOLD

Y00V9750 5. SUCTION MANIFOLD

(A)=4TNV88-MHW (D)=
 (B)= (E)=
 (C)= (F)=

REF.	LEV.	PARTS NO.	DESCRIPTION	QTY					
				(A)	(B)	(C)	(D)	(E)	(F)
1	1	129601-03080	PIPE,BREATHER	1					
2	2	129410-03990	CLAMP 24	2					
3	1	129601-12100	MANIFOLD,INT	1					
5	1	129407-12110	GASKET,INT.MANOIFOLD	1					
6	1	26106-080202	BOLT M 8X 20 PLATED	6					
7	1	26106-080802	BOLT M 8X 80 PLATED	1					
8	1	129120-77501	HEATER, AIR	1					
9	1	26106-080352	BOLT M 8X 35 PLATED	4					
10	1	129150-77511	GASKET,(NON-ASB.)	1					



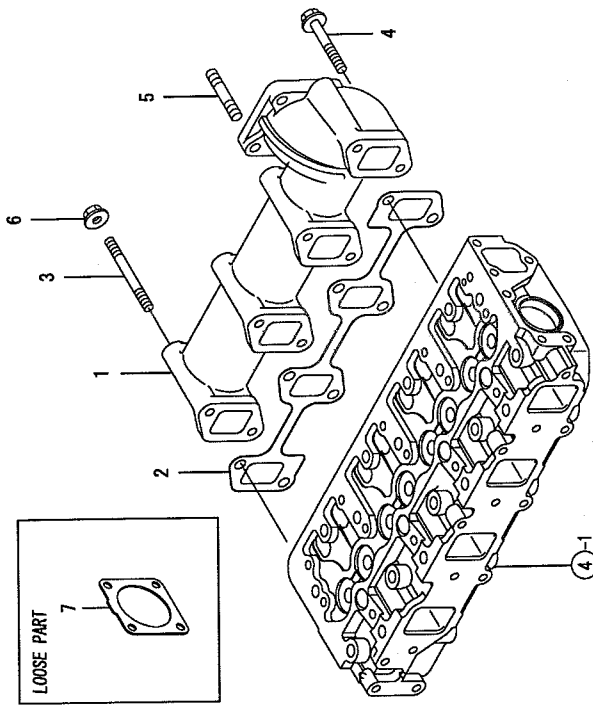
Y00V9750

Fig.6. EXHAUST MANIFOLD

6. EXHAUST MANIFOLD

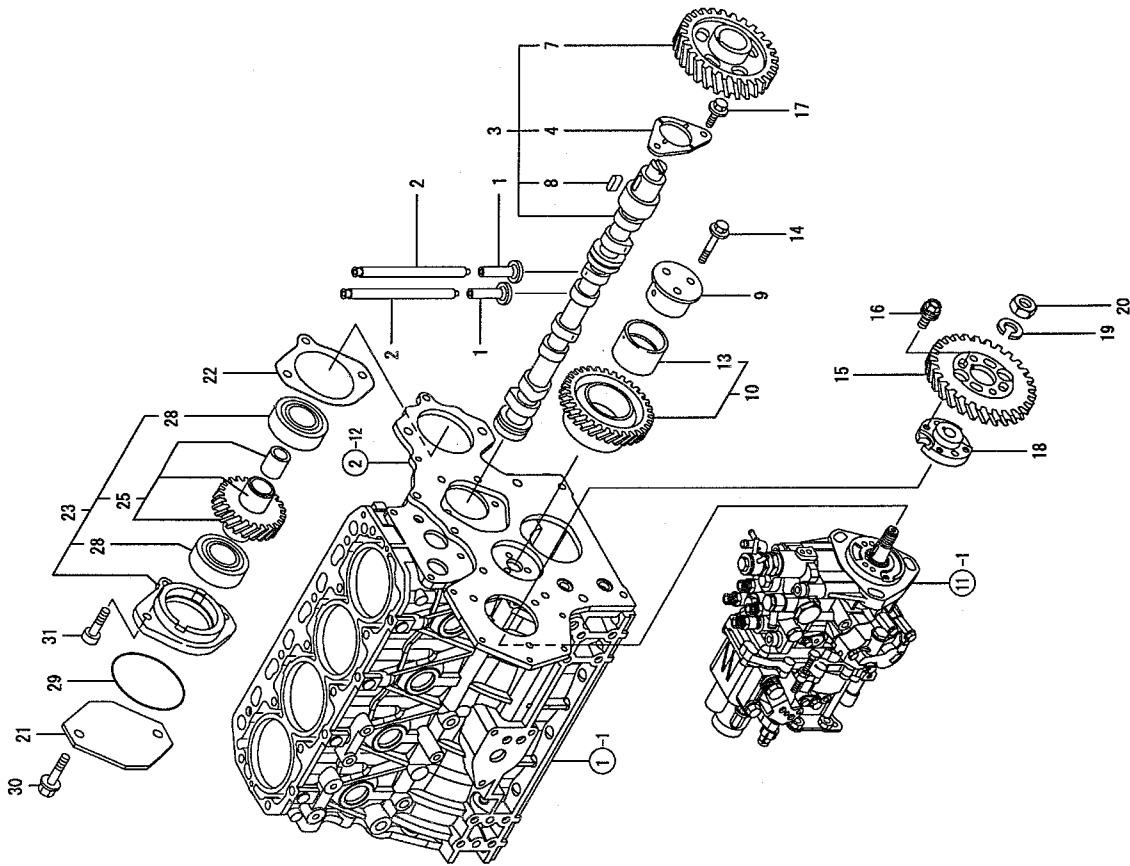
(A)=4TNV85-MHW
(B)=
(C)= (D)=
(E)=
(F)=

REF.	LEV.	PARTS NO.	DESCRIPTION	QTY					
				(A)	(B)	(C)	(D)	(E)	(F)
1	1	129400-13101	MANIFOLD, EXHAUST	1					
2	1	129550-13110	GASKET, EXH.MANIFOLD	1					
3	1	123900-13610	STUD BOLT M 8X 80	2					
4	1	123900-13630	BOLT 8X80	6					
5	1	119131-18320	BOLT M 8X 22	4					
6	1	26306-080002	NUT	2					
7	1	129930-13200	GASKET, SILENCER	1					



Y00V9750

Fig.7. CAMSHAFT & DRIVING GEAR



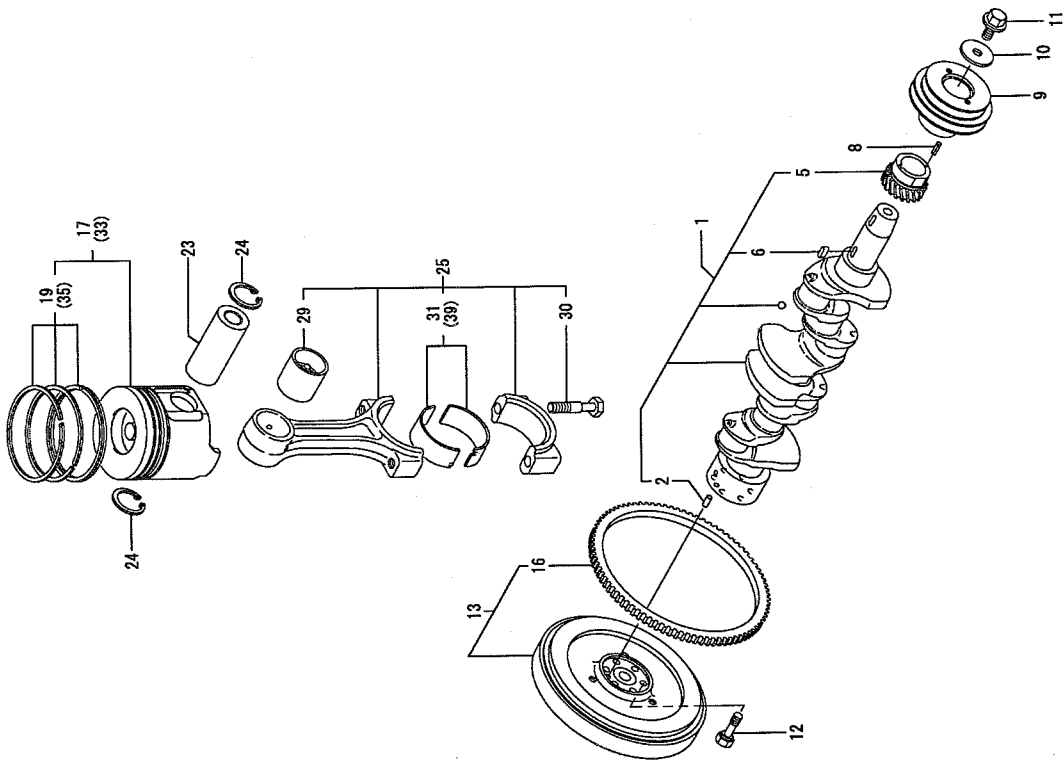
7. CAMSHAFT & DRIVING GEAR

(A)=4TNV88-MHW (D)=
(B)= (E)=
(C)= (F)=

REF.	LEV.	PARTS NO.	DESCRIPTION	QTY					
				(A)	(B)	(C)	(D)	(E)	(F)
1	1	129150-14200	TAPPET	8					
2	1	129150-14400	ROD, PUSH	8					
3	1	729402-14580	CAMSHAFT ASSY	1					
4	2	129150-02450	METAL, THRUST (CAM	1					
7	2	129150-14101	GEAR, CAMSHAFT	1					
8	2	22512-070140	KEY 7X 14	1					
9	1	119802-25051	SHAFT, IDLE GEAR	1					
10	1	119802-25100	GEAR ASSY, IDLE	1					
13	2	119802-25070	BUSH, IDLE GEAR	1					
14	1	26106-080402	BOLT M 8X 40 PLATED	3					
15	1	119802-25901	GEAR, PUMP	1					
16	1	129150-25301	BOLT, FLP	4					
17	1	26106-080142	BOLT M 8X 14 PLATED	2					
18	1	158552-51151	FLANGE	1					
19	1	22217-140000	SPRING WASHER 14	1					
20	1	26776-140002	LOCK NUT M14 PLATED	1					
21	1	121023-26070	COVER, HO-P	1					
22	1	171353-26081	GASKET, HO-P BRACKET	1					
23	1	129484-26200	GEAR ASSY, H.O. PUMP	1					
25	2	129484-26210	GEAR W/SHAFT	1					
28	2	24105-060064	BALL BEARING	2					
29	1	24321-000850	O-RING 1A G-85.0	1					
30	1	26106-100452	BOLT M10X 45 PLATED	2					
31	1	26450-080282	BOLT M 8X 28	1					

Remarks
(1) REPAIR PART.

Fig.8. CRANKSHAFT & PISTON



Y00V9750 8. CRANKSHAFT & PISTON

(A)=4TNV85-MHW (D)=
 (B)= (E)=
 (C)= (F)=

REF.	LEV.	PARTS NO.	DESCRIPTION	(A)	(B)	(C)	(D)	(E)	(F)	QTY	I	R
1	1	129601-21002	CRANKSHAFT ASSY	1								
2	2	129100-01580	PARALLEL PIN 8X16	1								
5	2	119802-21202	GEAR, CRANKSHAFT	1								
6	2	22512-070140	KEY 7X 14	1								
8	1	22351-030010	SPRING PIN 3X10	1								
9	1	129466-21650	PULLEY, CRANKSHAFT	1								
10	1	129795-21661	WASHER	1								
11	1	121850-21680	BOLT, V-PULLEY	1								
12	1	121111-21501	BOLT, FLYWHEEL	6								
13	1	129423-21570	FLYWHEEL ASSY	1								
16	2	119865-21600	GEAR, RING	1								
17	1	129005-22080	PISTON ASSY	4								
19	2	129005-22500	RING SET, PISTON	4								
23	1	129202-22300	PIN, PISTON(D26,L70)	4								
24	1	22252-000260	CIRCLIP 26	8								
25	1	729402-23100	ROD ASSY, CONNECTING	4								
29	2	129100-23910	BUSH, PISTON PIN	4								
30	2	121550-23200	BOLT, CONNECTING ROD	8								
31	2	129150-23600	BEARING, CRANKPIN	4								
33	1	129005-22900	PISTON W/RING OS=25	4								
35	2	129005-22950	RING SET O.S=0.25	4								
39	1	129150-23610	METAL PIN US=0.25	4								

Remarks
 (1) REPAIR PART.
 (2) OVER-SIZE(O.S=0.25)PART.
 (3) UNDER-SIZE(U.S=0.25)PART.

Y00V9750

Fig.9. LUB.OIL SYSTEM

Y00V9750 9. LUB.OIL SYSTEM

(A)=4TNV88-MHW (D)=
 (B)= (E)=
 (C)= (F)=

REF.	LEV.	PARTS NO.	DESCRIPTION	QTY					
				(A)	(B)	(C)	(D)	(E)	(F)
1	1	129601-34800	DIPSTICK, LUB.OIL	1					
2	1	119260-34810	GUIDE, DIPSTICK	1					
3	1	129150-35041	GASKET, (NON-ASB.)	1					
4	1	129436-35091	PIPE ASSY, LUB. OIL	1					
5	1	26106-080352	BOLT M 8X 36 PLATED	2					
6	1	129508-33010	COOLER ASSY, OIL	1					
7	1	129417-33110	NUT OIL COOLER	1					
8	1	129006-35100	BRACKET ASSY, FILTER	1					
9	2	119802-35110	BRACKET, FILTER	1					
10	2	129417-35150	STUD	1					
11	1	26106-080202	BOLT M 8X 20 PLATED	3					
12	1	114250-39450	SWITCH,(0.5KG)LO.	1					
13	1	124160-39140	BOLT 10, PIPE JOINT	1					
14	1	119802-39450	PIPE ASSY, LUB. OIL	1					
15	1	129005-59830	JOINT BOLT 3	1					
16	2	23857-030000	JOINT BOLT 3	1					
17	2	22190-080002	SEAL WASHER 8S	1					
18	1	22190-080002	SEAL WASHER 8S	1					
19	1	22190-100002	SEAL WASHER 10S	2					
20	1	26366-060002	NUT M 6	1					
21	1	129150-35111	GASKET, (NON-ASB.)	1					
22	1	129150-35152	FILTER 80X80L	1					
23	1	129006-44480	JOINT	1					
24	1	129508-49030	PIPE,COOLER IN	1					
25	2	171008-03990	CLAMP 18.5	1					
27	2	23080-015000	CLAMP	1					
28	1	129508-49040	PIPE,COOLER OUT	1					
29	2	119940-59130	PROTECTOR, PIPE 19	1					
31	2	23080-015000	CLAMP	1					
32	2	23080-018000	CLAMP 18	1					
33	1	129103-49301	ELBOW PT 1/4	1					
34	1	119802-34850	GUIDE, DIPSTICK	1					
35	1	24311-240100	O-RING 1A P-10A	1					
36	1	26106-080162	BOLT M 8X 16 PLATED	1					
37	1	171056-49120	PLUG, DRAIN	1					

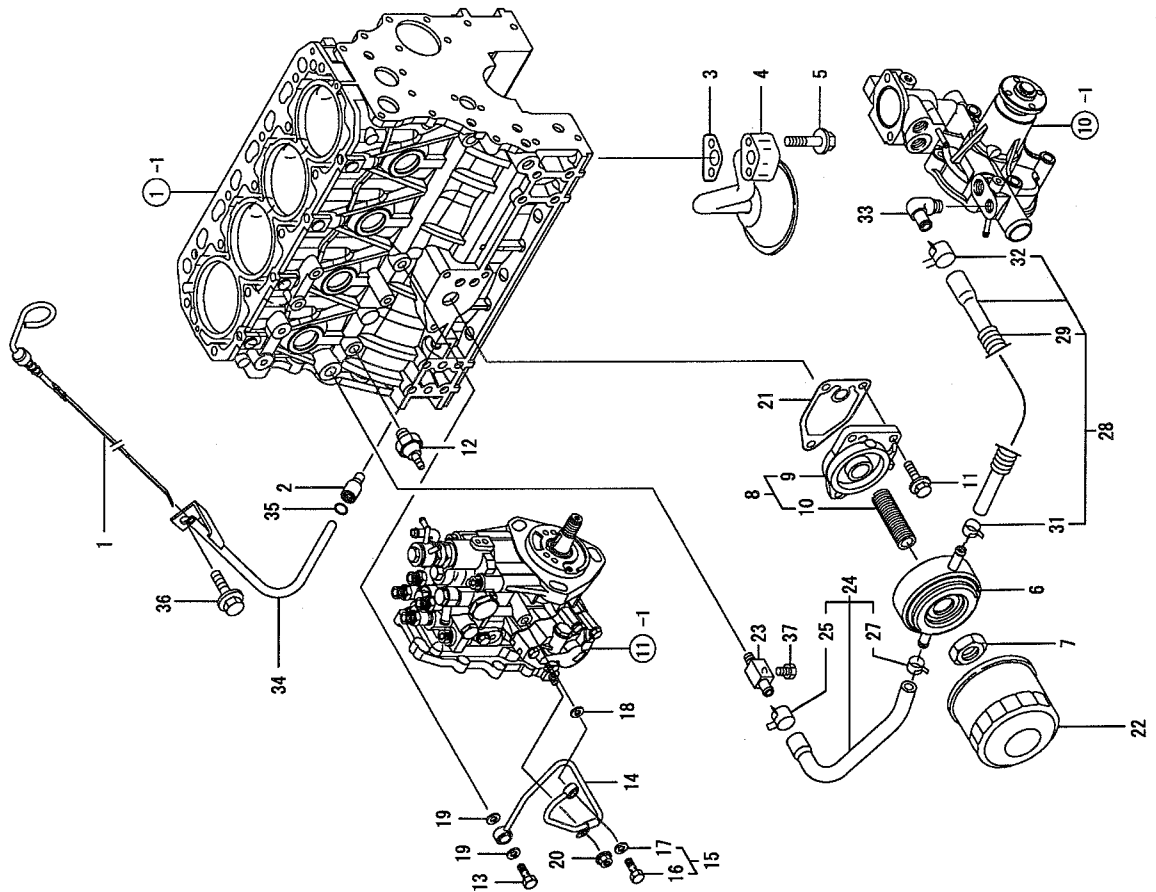
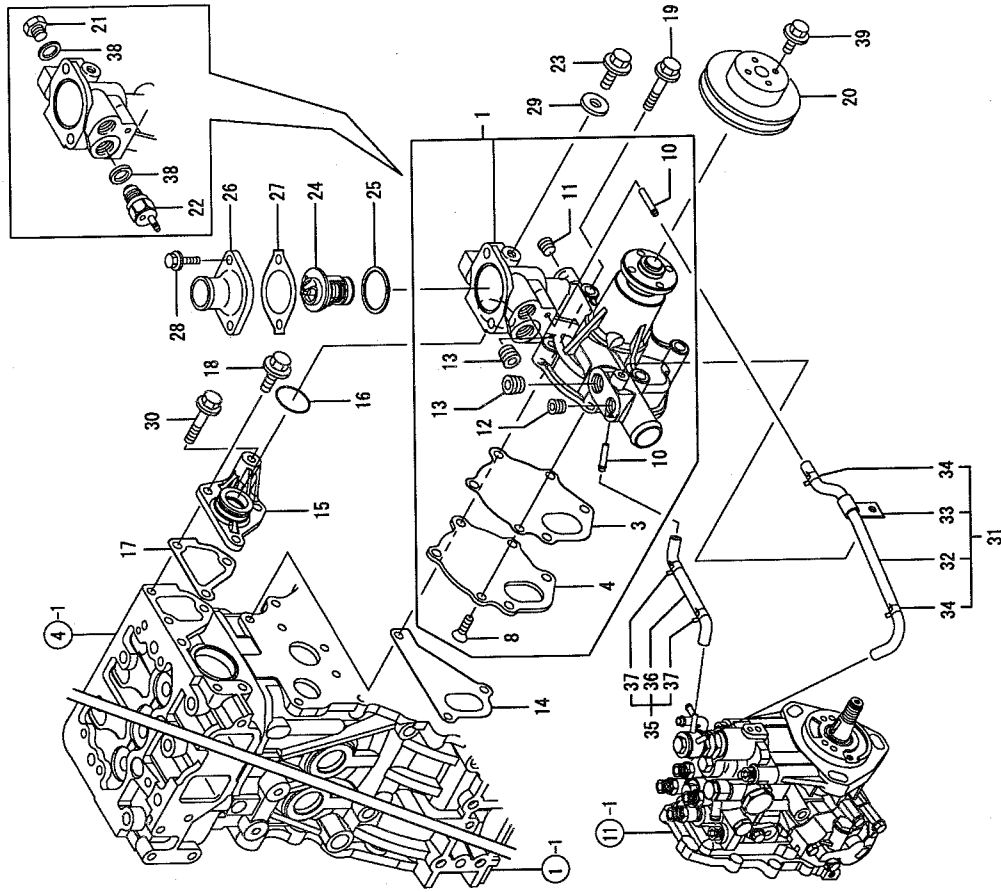


Fig.10. COOLING WATER SYSTEM



10. COOLING WATER SYSTEM

Y00V9750

(A)=4TNV86-MHW
(B)=
(C)=
(D)=
(E)=
(F)=

REF.	LEV.	PARTS NO.	DESCRIPTION	(A)	(B)	(C)	(D)	(E)	(F)
1	1	129004-42001	PUMP ASSY, WATER	1					
3	2	129100-42051	GASKET, (NON-ASB.)	1					
4	2	129100-42121	PLATE	1					
8	2	121850-42410	SCREW	3					
10	2	119802-49113	JOINT	2					
11	2	23876-010000	PLUG PT1/8, SCREW	1					
12	2	23876-020000	PLUG PT1/4, SCREW	1					
13	2	129916-49740	PLUG, DRAIN R03	2					
14	1	129486-42021	GASKET	1					
15	1	129004-42040	JOINT	1					
16	1	129486-42140	O-RING, CW-P	1					
17	1	124395-49840	GASKET, THERMO. CASE	1					
18	1	26106-080162	BOLT M 8X 16 PLATED	3					
19	1	26106-080602	BOLT M 8X 60 PLATED	3					
20	1	129550-42350	V-PULLEY(D=120)	1					
21	1	121450-42450	PLUG M16	1					
22	1	121250-44901	SWITCH, THERMO(110 C	1					
23	1	26106-080122	BOLT M 8X 12 PLATED	1					
24	1	129155-49801	THERMOSTAT (71)	1					
25	1	129150-49811	GASKET, (NON-ASB.)	1					
26	1	129350-49530	COVER, THERMOSTAT	1					
27	1	129795-49551	GASKET, (NON-ASB.)	1					
28	1	26106-080222	BOLT M 8X 22 PLATED	2					
29	1	23414-080000	GASKET 8, ROUND	1					
30	1	26106-080452	BOLT M 8X 45 PLATED	1					
31	1	129004-49610	PIPE ASSY, A MP2	1					
32	2	129004-49711	PIPE ASSY, A MP2	1					
33	2	119802-49730	CLAMP CW-T	1					
34	2	124722-59050	CLAMP 9	2					
35	1	129004-49620	PIPE ASSY, B MP2	1					
36	2	129004-49721	PIPE, WATER B MP2	1					
37	2	124722-59050	CLAMP 9	2					
38	1	124465-44950	GASKET 16	2					
39	1	26106-060122	BOLT M 6X 12 PLATED	4					

Y00V9750

Fig.11. FUEL INJECTION PUMP

Y00V9750 11. FUEL INJECTION PUMP

(A)=4TNV88-MHW (D)=
 (B)= (E)=
 (C)= (F)=

REF.	LEV.	PARTS NO.	DESCRIPTION	QTY						
				(A)	(B)	(C)	(D)	(E)	(F)	
1	1	729645-51340	INJECTION PUMP ASSY	1						
2	1	26106-080162	BOLT M 8X 16 PLATED	1						
3	1	26106-080202	BOLT M 8X 20 PLATED	1						
4	1	129601-51250	SUPPORT,FIP	1						

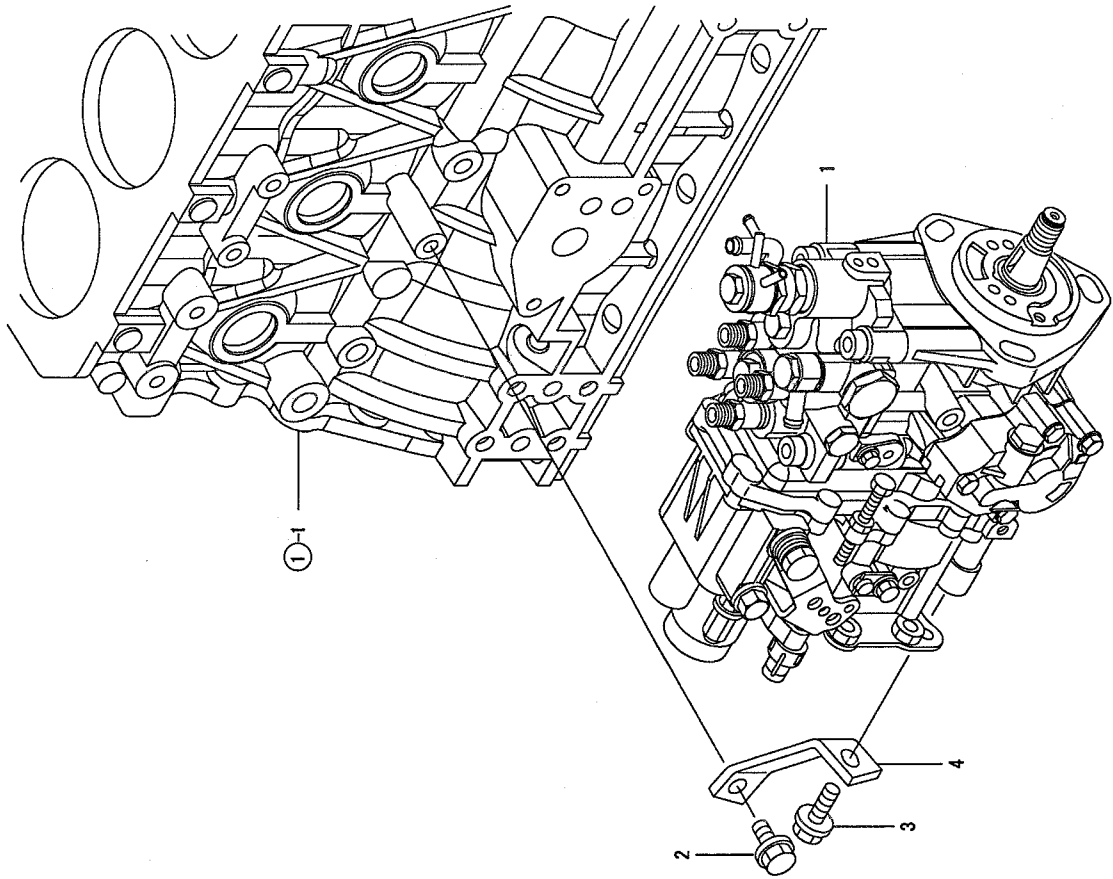


Fig. 12. FUEL INJECTION VALVE

12. FUEL INJECTION VALVE

(A)=4TNV68-MH1W
 (B)=
 (C)=
 (D)=
 (E)=
 (F)=

REF. LEV. PARTS NO. DESCRIPTION (A) (B) (C) (D) (E) (F) QTY I R

REF.	LEV.	PARTS NO.	DESCRIPTION	(A)	(B)	(C)	(D)	(E)	(F)	QTY	I	R
1	1	729645-53100	FUEL INJECTOR(WBG)							4		
2	2	129602-53001	NOZZLE ASSY							4		
5	2	114250-53080	NUT, NOZZLE CASE							4		
6	2	119802-53100	HOLDER ASSY, NOZZLE							4		
10	2	114250-53120	SPRING, NOZZLE							4		
11	2	114250-53130	SEAT, NOZZLE SPRING							4		
12	2	114250-53140	PLATE, STOP							4		
13	2	114250-53210	PIN							8		
14	2	114250-53400	SHIM PACK							4		
26	1	129150-59120	RETAINER, INJ. PIPE							1		
29	2	129150-59131	BOLT M4X14,HEX.SCKT.							2		
30	1	129550-59120	RETAINER							1		
33	2	129150-59131	BOLT M4X14,HEX.SCKT.							2		
35	1	129601-59810	PIPE ASSY, INJECTION							1		
39	1	129601-59820	PIPE ASSY, INJECTION							1		
43	1	129601-59830	PIPE ASSY, INJECTION							1		
47	1	129601-59840	PIPE ASSY, INJECTION							1		
52	1	119802-59550	PIPE ASSY, RETURN							1		
53	2	124722-59050	CLAMP 9							2		
54	2	119802-59560	PIPE, FUEL RETURN							1		
55	1	129486-59551	PIPE, FUEL RETURN							3		
56	2	124722-59050	CLAMP 9							6		
58	1	119593-59580	CAP							1		
59	1	124060-77680	CLAMP 10							1		

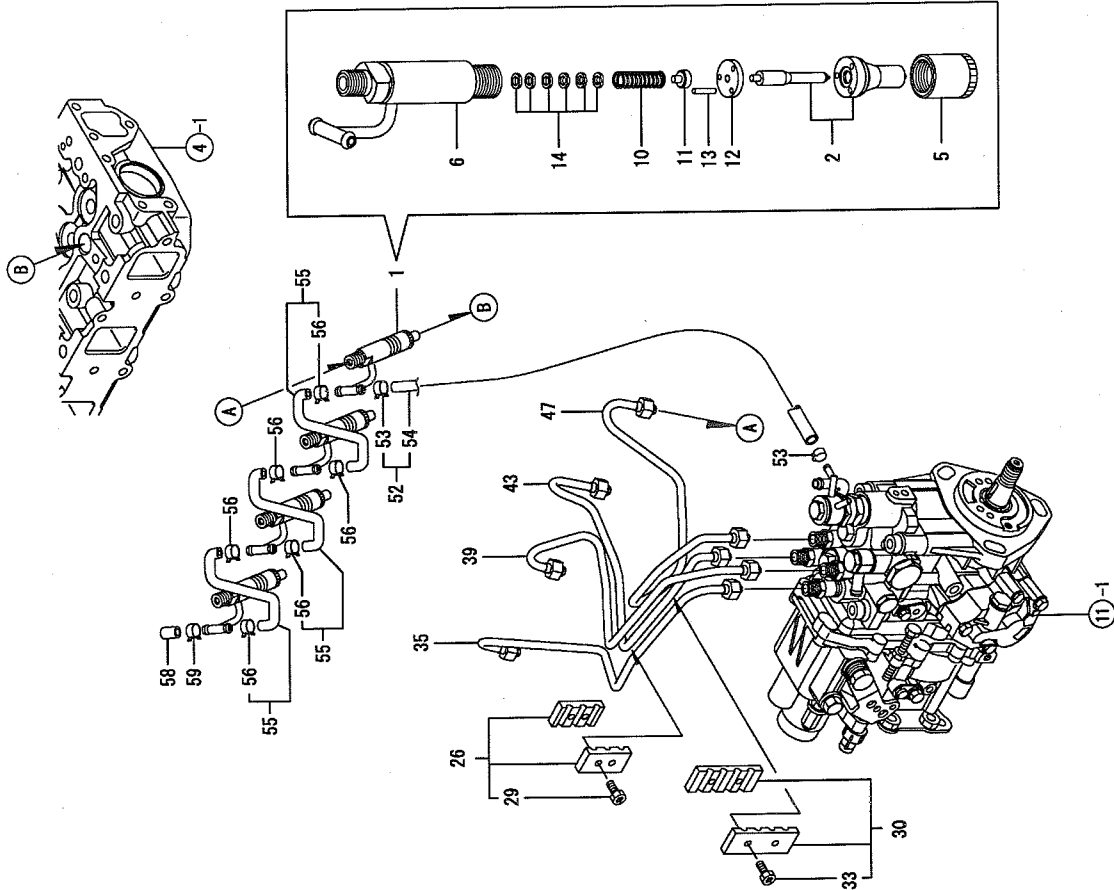
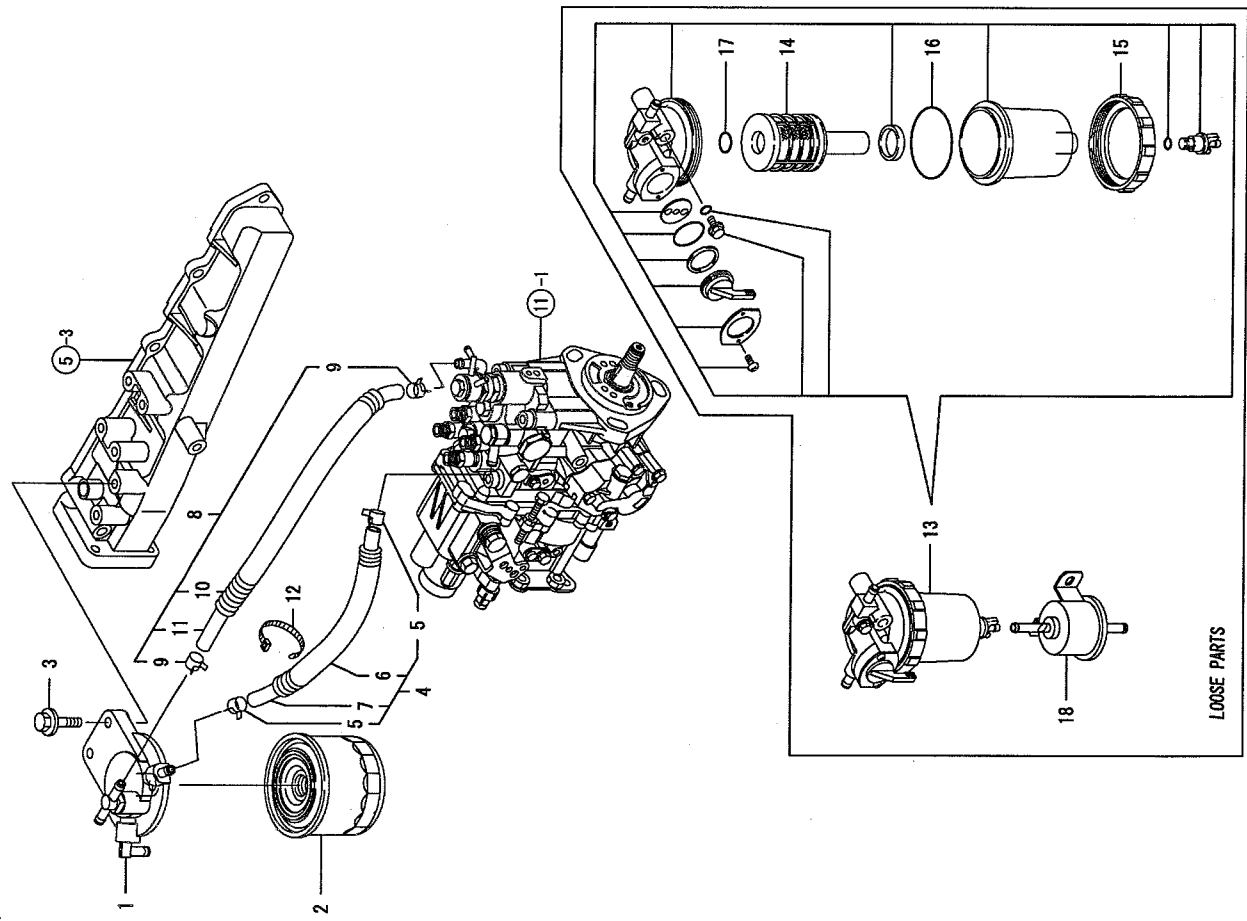


Fig. 13. FUEL LINE

13. FUEL LINE

(A)=4TNV85-MHW (D)=
 (B)= (E)=
 (C)= (F)=

REF.	LEV.	PARTS NO.	DESCRIPTION	(A)	(B)	(C)	(D)	(E)	(F)
1	1	129004-55610	BRACKET, FILTER	1					
2	1	119802-55800	FILTER, FUEL	1					
3	1	26106-080302	BOLT M 8X 30 PLATED	2					
4	1	129956-59010	FO-T CMP	1					
5	2	124766-59050	CLAMP 12	2					
6	2	129957-59101	PROTECTOR, FUEL PIPE	1					
7	2	105225-59511	PIPE, FUEL OIL	1					
8	1	129950-59311	PIPE, FUEL	1					
9	2	124766-59050	CLAMP 12	2					
10	2	129961-59110	TUBE	1					
11	2	105025-59580	PIPE, FUEL OIL	1					
12	1	121750-59890	CLAMP 140	1					
13	1	119802-55700	SEPARATOR ASSY	1					
14	2	119802-55710	ELEMENT	1					
15	2	129100-55690	RING, RETAINING	1					
16	2	24321-000650	O-RING 1A G-65.0	1					
17	2	24311-000160	O-RING 1A P-16.0	1					
18	1	119225-52102	PUMP ASSY, FUEL FEED	1					



Y00V9750

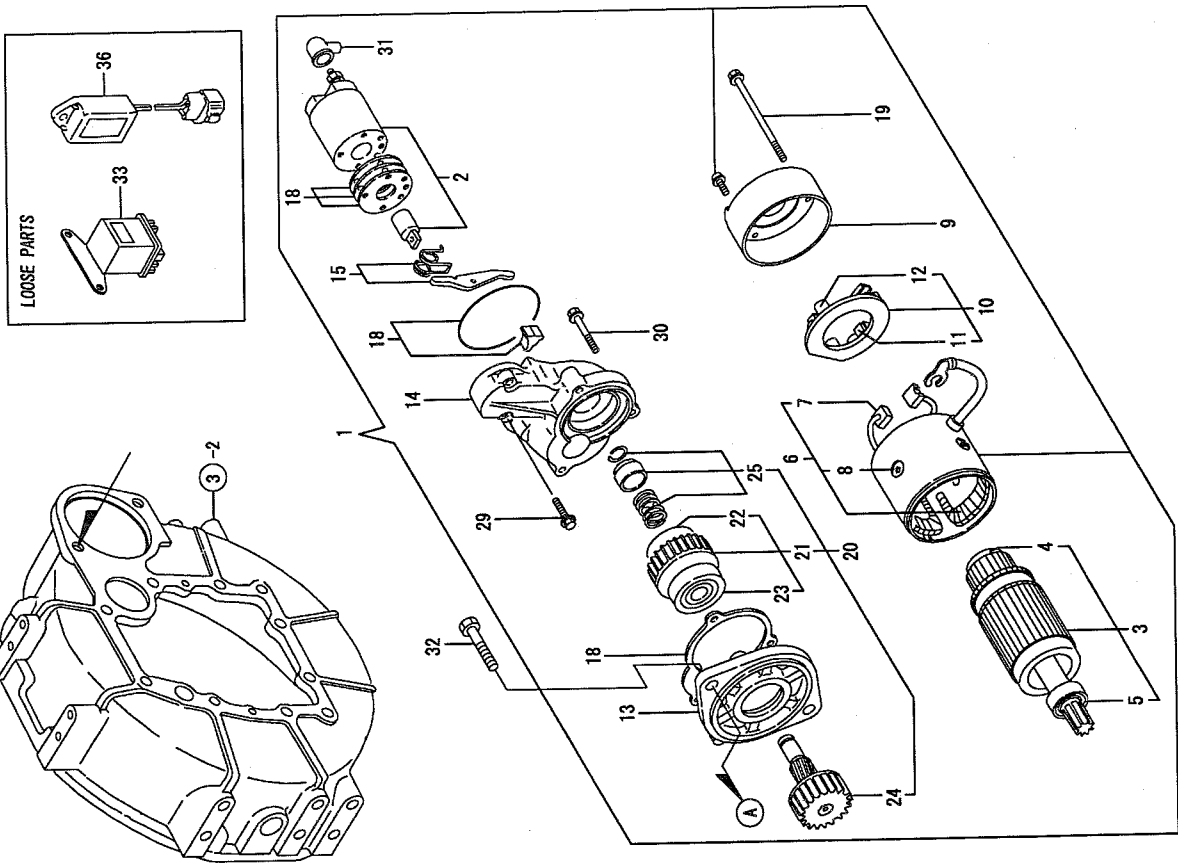
14. STARTING MOTOR

(A)=4TNV88-MHW (D)=
 (B)= (E)=
 (C)= (F)=

QTY I R

REF. LEV. PARTS NO. DESCRIPTION

REF.	LEV.	PARTS NO.	DESCRIPTION	(A)	(B)	(C)	(D)	(E)	(F)
1		129136-77011	STARTER	1					
2		129136-77310	SHAFT, PINION	1					
3		129900-77400	ARMATURE ASSY	1					
4		X2130350900	BALL BEARING	1					
5		X2114255110	BALL BEARING	1					
6		129900-77440	COIL ASSY, FIELD	1					
7		129900-77450	BRUSH (+)	2					
8		171008-77450	SCREW, POLE CORE SET	4					
9		129900-77460	COVER, REAR	1					
10		129900-77480	HOLDER ASSY, BRASH	1					
11		129900-77450	BRUSH (+)	2					
12		129400-77490	SPRING, BRUSH	4					
13		171008-77510	HOUSING ASSY, GEAR	1					
14		129136-77520	CENTER HOUSING	1					
15		171008-77540	LEVER SET, SHIFT	1					
18		129400-77571	DUST COVER (NON-ASB.	1					
19		129900-77640	BOLT, THROUGH	2					
20		171008-77650	PINION ASSY	1					
21		X2114555500	CLUTCH ASSY	1					
22		X2114955020	BEARING	1					
23		X2240410100	BEARING	1					
24		171008-77660	SHAFT, PINION	1					
25		171008-77670	STOPPER SET, PINION	1					
29		26106-060322	BOLT M 6X 32 PLATED	2					
30		26106-060402	BOLT M 6X 40 PLATED	3					
31		171008-77750	COVER, M TERMINAL	1					
32		26116-120252	BOLT M12X 25 PLATED	2					
33		119650-77910	RELAY, GROW	1					
36		129211-77920	TIMER	1					



Y00V9750

Fig. 14. STARTING MOTOR

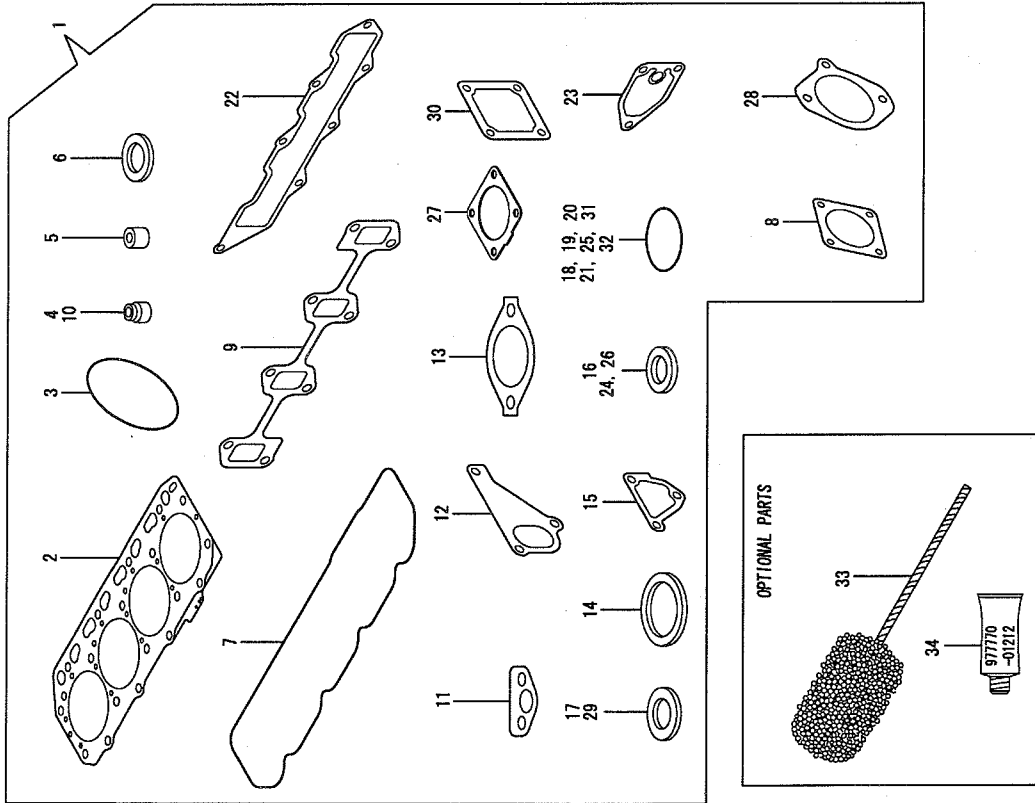
Y00V9750

Fig.15. GASKET SET

15. GASKET SET

(A)=4TNV88-MHW
(B)=
(C)=
(D)=
(E)=
(F)=

REF.	LEV.	PARTS NO.	DESCRIPTION	(A)	(B)	(C)	(D)	(E)	(F)	QTY	I	R
1	1	729601-92800	GASKET SET(NON-ASB.)	1						1		
2	2	129407-01340	GASKET,CYL.HEAD	1						1		
3	2	121850-51960	O-RING, F.I.PUMP	1						1		
4	2	124460-11340	SEAL, VALVE STEM	4						4		
5	2	119802-11870	PROTECTOR, NOZZLE	4						4		
6	2	119625-11880	SEAT, NOZZLE	4						4		
7	2	129601-11310	GASKET,COVER	1						1		
8	2	124240-01883	GASKET, (NON-ASB.)	1						1		
9	2	129550-13110	GASKET, EXH.MANIFOLD	1						1		
10	2	121400-11340	SEAL, VALVE STEM	4						4		
11	2	129150-35041	GASKET, (NON-ASB.)	1						1		
12	2	129486-42021	GASKET	1						1		
13	2	129795-49551	GASKET, (NON-ASB.)	1						1		
14	2	129150-49811	GASKET, (NON-ASB.)	1						1		
15	2	124395-49840	GASKET, THERMO. CASE	1						1		
16	2	22190-080002	SEAL WASHER 8S	2						2		
17	2	124465-44950	GASKET 16	2						2		
18	2	24311-000120	O-RING 1A P 12.0	3						3		
19	2	24311-000320	O-RING 1A P-32.0	3						3		
20	2	24341-000240	O-RING 1A S-24.0	1						1		
21	2	129486-42140	O-RING,CW-P	1						1		
22	2	129407-12110	GASKET,INT.MANIFOLD	1						1		
23	2	129150-35111	GASKET, (NON-ASB.)	1						1		
24	2	22190-220002	SEAL WASHER 22S	1						1		
25	2	119609-32040	O-RING P16	4						4		
26	2	22190-100002	SEAL WASHER 10S	2						2		
27	2	129990-13200	GASKET, SILENCER	1						1		
28	2	171353-26081	GASKET,HO-P BRACKET	1						1		
29	2	23414-080000	GASKET 8, ROUND	1						1		
30	2	129150-77511	GASKET, (NON-ASB.)	1						1		
31	2	24321-000850	O-RING 1A G-85.0	1						1		
32	2	24311-240100	O-RING 1A P-10A	1						1		
33	1	129400-92430	HORN, FLEX	1						1		
34	1	977770-01212	GASKET, LIQUID	1						1		



Remarks
(1) OPTIONAL PART.

PARTS No. INDEX

All parts of this Parts Catalog is arranged by Part No. order
(depending on the spot where the model is used).
If you want to know by Part No. where your object part is used,
please use this Parts Catalog.

PARTS No. INDEX

PARTS No.	Fig.	Ref.No.
105025-59580	13	11
105225-59511	13	7
114250-39450	9	12
114250-53080	12	5
114250-53120	12	10
114250-53130	12	11
114250-53140	12	12
114250-53210	12	13
114250-53400	12	14
119131-18320	6	5
119225-52102	13	18
119260-34810	9	2
119593-59580	12	58
119609-32040	2	17
	15	25
119620-01750	3	3
119625-11880	15	4
	15	6
119640-01640	3	9
119650-77910	14	33
119802-01560	2	13
119802-03110	4	41
119802-03121	4	42
119802-03130	4	43
119802-03141	4	44
119802-11260	4	26
119802-11270	4	27
119802-11870	4	19
	15	5
119802-21202	8	5
119802-25051	7	9
119802-25070	7	13
119802-25100	7	10
119802-25901	7	15
119802-32070	2	8
119802-32100	2	7
119802-32111	2	18
119802-32120	2	19
119802-32130	2	20
119802-34850	9	34
119802-35110	9	9
119802-39450	9	14
119802-49113	10	10
119802-49730	10	33
119802-53100	12	6
119802-55700	13	13
119802-55710	13	14
119802-55800	13	2
119802-59550	12	52
119802-59560	12	54

PARTS No.	Fig.	Ref.No.
119865-21600	8	16
119904-11900	9	29
120130-11860	4	5
120270-54410	4	23
121023-01550	2	28
121023-26070	7	21
121111-21501	8	12
121250-44901	10	22
121400-11340	4	16
	15	10
121450-42450	10	21
121550-23200	8	30
121750-59890	13	12
121850-21680	8	11
121850-42410	10	8
121850-51960	2	21
	15	3
123900-13610	6	3
123900-13630	6	4
124060-01050	1	10
124060-77680	12	59
124160-01751	2	14
	4	50
124160-01910	1	5
	15	15
124160-11360	4	52
124160-39140	9	13
124240-01871	2	15
	2	32
124240-01883	2	33
	15	8
124395-49840	10	17
	15	15
124460-11340	4	17
	15	4
124465-44950	10	38
	15	17
124722-59050	10	34
	37	37
	12	53
	13	56
124766-59050	13	5
	9	9
129001-01250	1	11
129001-02930	1	25
129001-32330	2	11
129001-91841	2	22
129004-01190	1	33
129004-03010	4	39
129004-11100	4	10

PARTS No.	Fig.	Ref.No.
129004-11650	4	31
129004-11900	4	21
129004-42001	10	1
129004-42040	10	15
129004-49610	10	31
129004-49620	10	35
129004-49711	10	32
129004-49721	10	36
129004-55610	13	1
129005-01520	2	12
129005-22080	8	17
129005-22500	8	19
129005-22900	8	33
129005-22950	8	35
129005-59830	9	15
129006-35100	9	8
129006-44480	9	23
129100-01580	3	1
	15	15
129100-01640	8	2
129100-11110	3	16
129100-23910	4	11
129100-42051	8	29
129100-42121	10	3
129100-55690	10	4
129103-49301	13	15
129120-77501	9	33
129136-77011	5	8
129136-77310	14	1
129136-77520	14	2
129150-01200	14	14
129150-02020	1	31
129150-02450	1	7
129150-02870	1	4
129150-02930	1	34
129150-02940	1	28
129150-03070	1	37
129150-11230	4	40
129150-11280	4	32
129150-11370	4	28
129150-11750	4	18
129150-11810	4	34
129150-14101	4	7
129150-14200	7	7
129150-14400	7	1
129150-23600	7	2
129150-23610	8	31
129150-25301	8	39
129150-35041	7	16
	9	3

PARTS No.	Fig.	Ref.No.
129150-35041	15	11
129150-35111	9	21
	15	23
129150-35152	9	22
129150-49811	10	25
	15	14
129150-59120	12	26
129150-59131	12	29
	12	33
129150-77511	5	10
	15	30
129155-49801	10	24
129202-22300	8	23
129211-77920	14	36
129350-49530	10	26
129400-01730	3	6
129400-01770	3	8
129400-13101	6	1
129400-77490	14	12
129400-77571	14	18
129400-92430	15	33
129407-01340	1	32
	15	2
129407-12110	5	5
	15	22
129410-03990	5	2
129417-33110	9	7
129417-35150	9	10
129418-32320	9	10
129423-21570	2	13
129436-35091	8	4
129466-21650	8	9
129484-26200	7	23
129484-26210	7	25
129486-01670	3	19
129486-42021	10	14
	15	12
129486-42140	10	16
	15	21
129486-59551	12	55
129508-33010	9	6
129508-49030	9	24
129508-49040	9	28
129550-13110	6	2
	15	9
129550-42350	10	20
129550-59120	12	30
129601-03080	5	1
129601-11241	4	25
129601-11251	4	29

MODEL : 4TNV88-MHW (HAKO)
 PC NO : Y00V9750

PARTS No. INDEX

PARTS No.	Fig.	Ref.No.
129601-11310	4	47
	15	7
129601-11350	4	38
129601-11700	4	1
129601-12100	5	3
129601-21002	8	1
129601-34800	9	1
129601-51250	11	4
129601-59810	12	35
129601-59820	12	39
129601-59830	12	43
129601-59840	12	47
129602-53001	12	2
129612-01600	3	2
129795-01780	3	18
129795-01800	2	6
129795-01950	2	16
129795-02411	1	14
129795-11120	4	12
129795-11180	4	13
129795-21661	8	10
129795-49551	10	27
	15	13
	4	54
129900-07900	4	9
129900-32130	2	9
129900-77400	14	3
129900-77440	14	6
129900-77450	14	7
	14	11
129900-77460	14	9
129900-77480	14	10
129900-77640	14	19
129916-49740	10	13
129930-13200	6	7
	15	27
129950-59311	13	8
129956-59010	13	4
129957-59101	13	6
129961-59110	13	10
158552-51151	7	18
171008-03990	9	25
171008-77450	14	8
171008-77510	14	13
171008-77540	14	15
171008-77650	14	20
171008-77660	14	24
171008-77670	14	25
171008-77750	14	31
171031-11741	2	35
171051-01921	1	6

PARTS No.	Fig.	Ref.No.
171056-49120	9	37
171353-26081	7	22
	15	28
729005-01500	2	1
729402-14580	7	3
729402-23100	8	25
729601-92800	15	1
729602-01560	1	1
729645-51340	11	1
729645-53100	12	1
977770-01212	2	31
	3	21
	4	56
	15	34
X2114255110	14	5
X2114555500	14	21
X2114955020	14	22
X2130350900	14	4
X2240410100	14	23

PARTS No.	Fig.	Ref.No.
-----------	------	---------

PARTS No.	Fig.	Ref.No.
-----------	------	---------